



USER MANUAL

Supernova

Table of contents

GENERAL SPECIFICATIONS	3
Purpose and Scope of the Document	3
Copyright	4
Legal Notice	5
Limited Warranty	6
Manufacturer contact and information	7
OVERVIEW	8
Charging power	8
Charging speed	8
Connectors types	8
USING SUPERNOVA	9
Supernova presentation	9
Status lights	10
Beacon Status Light	10
Holsters Status Light	11
Charger Ambient Light	12
Starting a charge	13
Before starting	13
Finalising a charge	17
Payment and fees	19
How does payment work?	19
What payment methods are currently available?	19
TROUBLESHOOTING	20
Most common issues	20
EV gun is stuck in the vehicle	20
Process for any other issue with Supernova	20

GENERAL SPECIFICATIONS

Purpose and Scope of the Document

This manual contains the description on how to use the SUPERNOVA Quick Charging Station.

You will also find answers to the most frequently asked questions from Supernova users, alongside a troubleshooting guide that will help you to overcome the difficulties that some users may have encountered while using the charger.

GENERAL SPECIFICATIONS

Copyright

All rights to copyright, registered trademarks, and trademarks reside with their respective owners.

Copyright © 2022 WALL BOX CHARGERS, S.L.U.

All rights reserved.

GENERAL SPECIFICATIONS

Legal Notice

- This document contains information about one or more Wallbox CHARGERS products and may include a description of or a reference to one or more standards that may be generally relevant to the Wallbox products. The presence of any such description of a standard or reference to a standard is not a representation that all of the Wallbox products referenced in this document support all of the features of the described or referenced standard. In order to determine the specific features supported by a particular Wallbox product, the reader should consult the product specifications for the particular Wallbox product.
- Wallbox may have one or more patents or pending patent applications protecting the intellectual property in the Wallbox products described in this document.
- The information in this document is subject to change without notice and should not be construed as a commitment by Wallbox. Wallbox assumes no responsibility for any errors that may appear in this document.
- In no event shall Wallbox be liable for direct, indirect, special, incidental, or consequential damages arising from use or installation of any software or hardware described in this document.
- This document is originally written in English. Other language versions are a translation of the original document and Wallbox cannot be held liable for errors in the translation.
- This document and parts thereof must not be reproduced or copied without written permission from Wallbox, and the content thereof must not be imparted to a third party nor used for any unauthorised purpose.

GENERAL SPECIFICATIONS

Limited Warranty

- Wallbox warrants this product against defects in materials and workmanship for a period of 3 years from the date of purchase.
- During this period, at its discretion, Wallbox will either repair or replace any defective product at no charge to the owner.
- Replacement products or repaired parts will be guaranteed for only the unexpired portion of the original warranty or 3 years whichever is greater.
- Any defect resulting from any accident, misuse, improper maintenance, or normal wear and tear is not covered by the limited warranty.
- Substitution or incorporation of any part by the client will be considered as incorrect usage.
- Except to the extent permitted by applicable law, the terms of this limited warranty do not exclude, restrict, or modify, and are in addition to, the mandatory statutory rights applicable to the sale of the product to you. If you believe your product is defective, contact Wallbox for instructions on where to send or bring it for repair.

GENERAL SPECIFICATIONS

Manufacturer contact and information

WALLBOX CHARGERS S.L.U.

CIF/NIF	B66542903
Registered office	PASEO CASTELLANA, 95 - PLT 28
Zip Code	28046
City	MADRID
Province	Madrid
Country	Spain
Homepage	www.wallbox.com

OVERVIEW

Charging power

Supernova is a fast-charging solution that is compatible with all vehicles with a fast-charging outlet (CCS and CHAdeMO). It is the ideal solution for destination charging.

Charging time from empty to full depends on the vehicle's battery capacity. With its 60kW power, you can recover up to 30kWh in 30min (around 200km, depending on car model). In case the vehicle has a lower charging rate than Supernova, it will just charge using the maximum acceptable rate.

Charging speed

This time can vary depending on your vehicle's battery capacity, the charging curve of the battery, and other factors.

		Charging Time (minutes) Supernova 60 kW
CAR	60 kWh EV 400 Vdc	40
	90 kWh EV 400 Vdc	60
	100 kWh EV 400 Vdc	65
BUS/TRUCK	120 kWh EV 400 Vdc	80

*Charge times displayed above are based on the average vehicle battery management system (BMS) requesting charging power from 20% to 80% under mild environmental conditions. Data assumes vehicles capable of charging at cited power levels.

Connector types

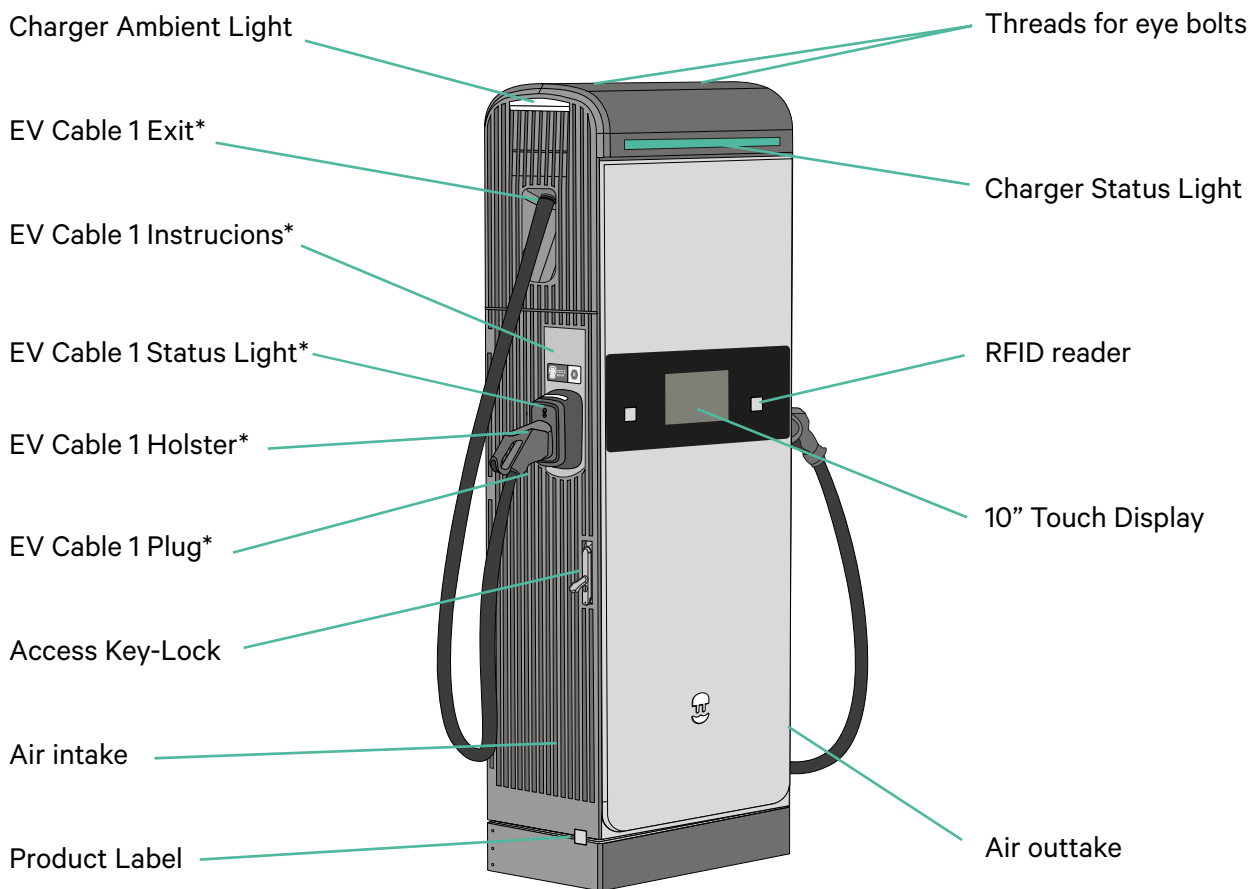
There are two different types of EV guns on a Supernova: CCS and CHAdeMO.

USING SUPERNOVA

Supernova presentation

The charging process is standardised for all Supernova chargers, although some minor differences may exist depending on the site.

A Supernova charger consists of the following components:



*Equivalent for EV Cable 2 is located on the other side.

USING SUPERNOVA

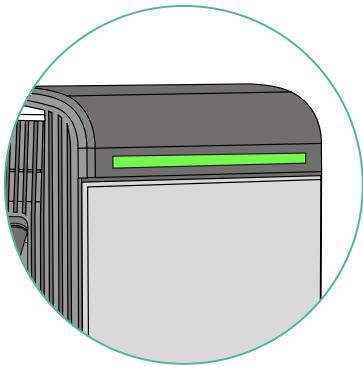
Status lights

Supernova comes with three status lights that help you recognize its current status. There is a wide LED light at top of the charger (referred to as “beacon”), and one on each of the two EV guns holsters.

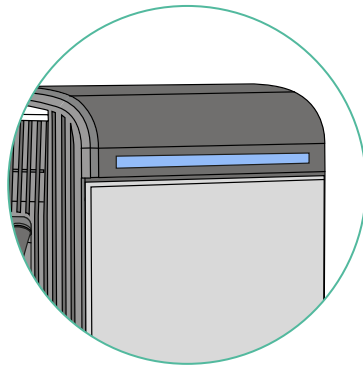
The colour coding has been designed to be intuitive and easily interpreted. For a more detailed explanation of each colour’s meaning, please refer to the guide below.

Beacon Status Light

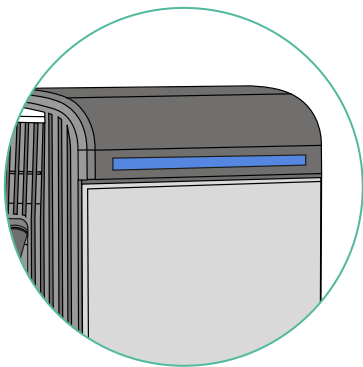
- 1. Green - Ready:** Supernova is ready to be used.



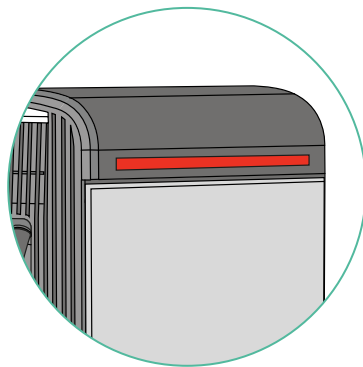
- 2. Light Blue - Initialising:** Charging session is getting started.



- 3. Blue - Charging:** Charging session is in progress.



- 4. Red - Error:** Charger is deactivated or under maintenance.

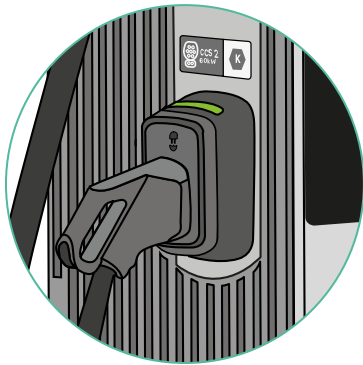


USING A SUPERNOVA

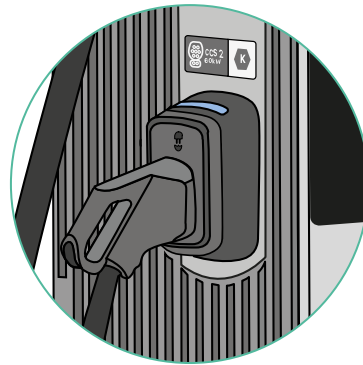
Status lights

Holsters Status Light

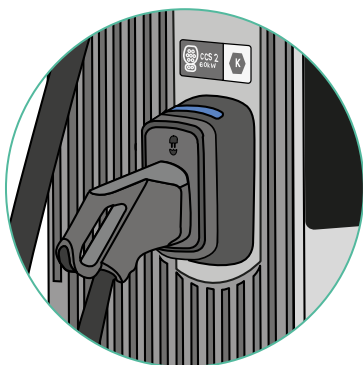
1. Green - Ready: EV gun is available.



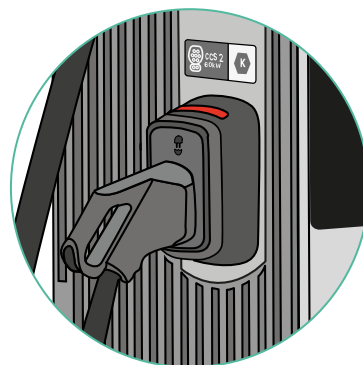
2. Light Blue - Ready to be used:
A charging session is being initiated on the Supernova's screen and the EV gun is ready to be pulled out.



3. Blue - EV Charge in process:
EV gun is being used to charge an EV.



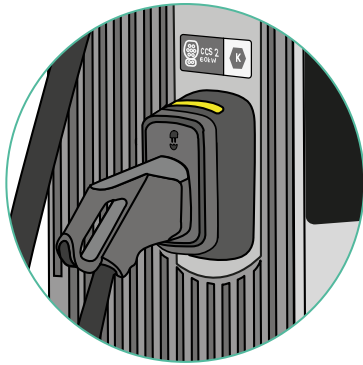
4. Red - Out of service:
EV gun is under maintenance or deactivated.



USING A SUPERNOVA

Status lights

- 5. Yellow - Unavailable:**
EV gun is unavailable.



Charger ambient light

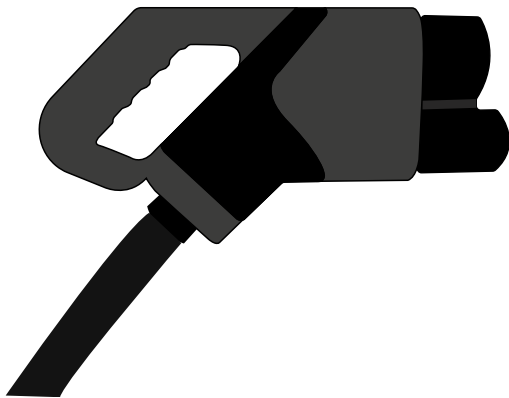
This light is always on and helps you using Supernova with more convenience in a dark or poorly lit environment.

USING SUPERNOVA

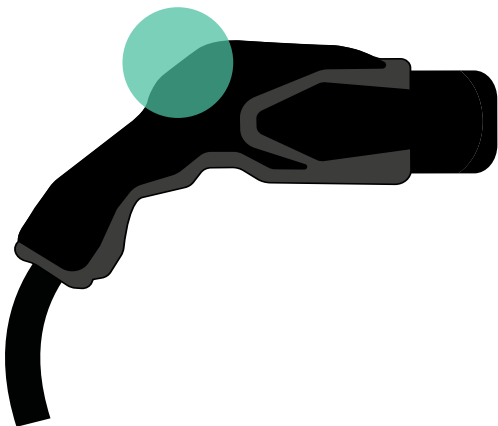
Starting a charge

Before starting

Supernova comes with two types of EV guns:



- 1.** Type CCS, marked with the letter “K”, is located on the left side of the charger. The CCS gun is automatically released/locked by its holster or the vehicle.



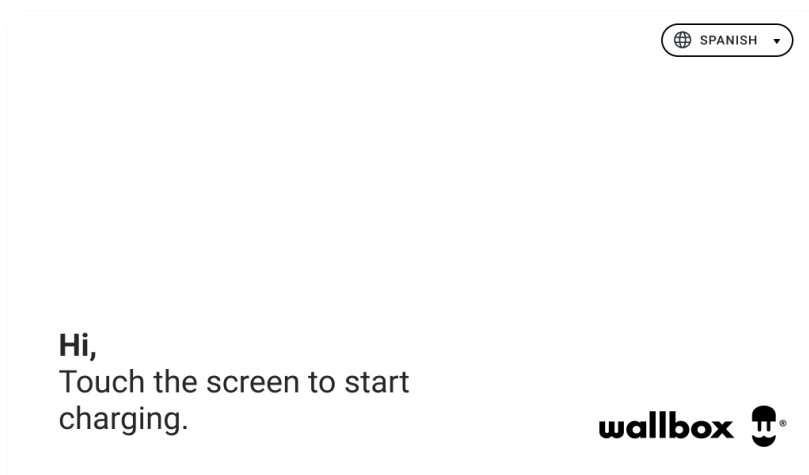
- 2.** Type CHAdeMO, marked with the letter “M”, is located at the charger’s right side. The CHAdeMO has a trigger that must be pulled in order to release it from its holster or the vehicle.

Both EV guns are locked by default. When a charge session is initiated, both EV guns will unlock to allow the needed EV gun to be pulled out. Once the desired EV gun is released from its holster, the remaining EV gun will re-lock.

USING SUPERNOVA

Starting a charge

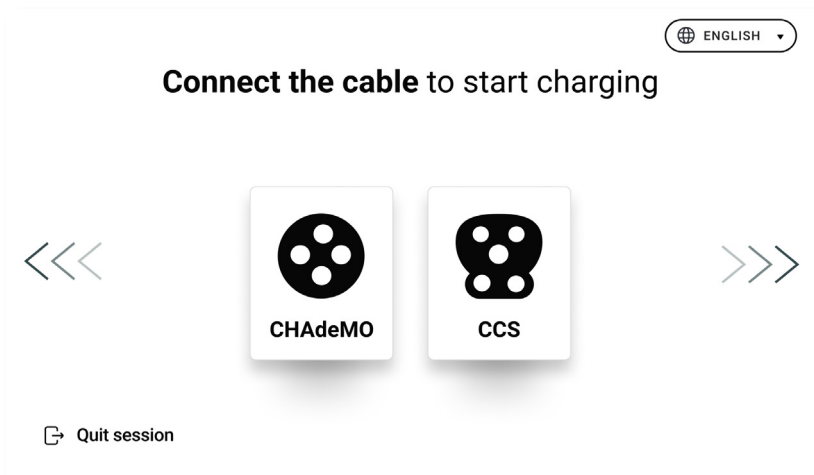
1. Either touch the screen to unlock the charger, or tap your RFID card against the reader on the right side of the screen. If you do not have a RFID card: download the mobile app linked to the Supernova and follow its instructions to start charging.



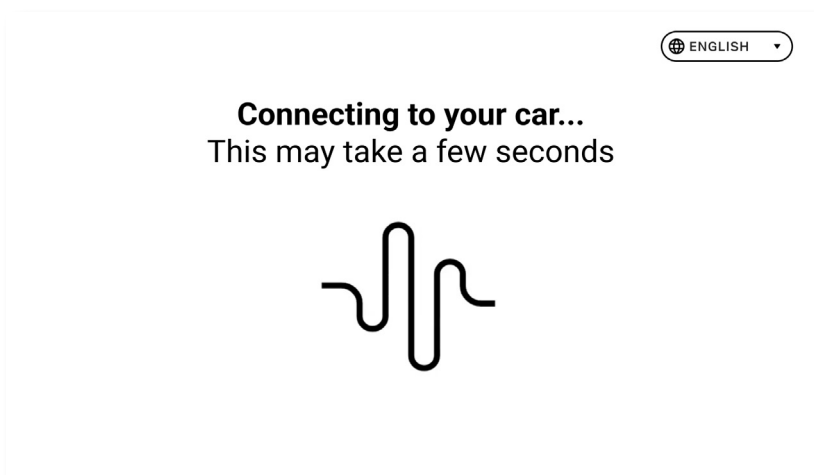
- A.** ***Language selector box:** You can change the display language at any time by tapping this button.

Starting a charge

- 2.** Beacon and EV guns holsters become light blue. Pull out the needed EV gun.

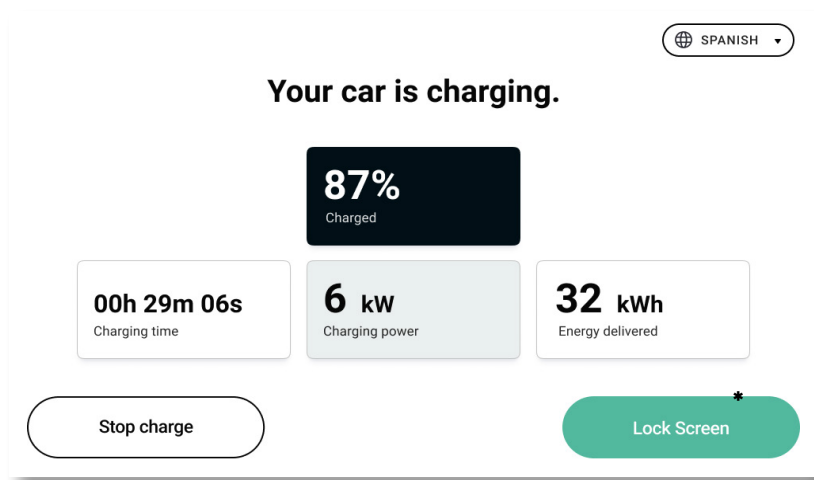


- 3.** Connect the EV gun to your car.



Starting a charge

- 4.** Charging starts automatically after connecting the EV gun. The Supernova display gives you information in real time on the status of the charge, you can also check this information via the operator's app.



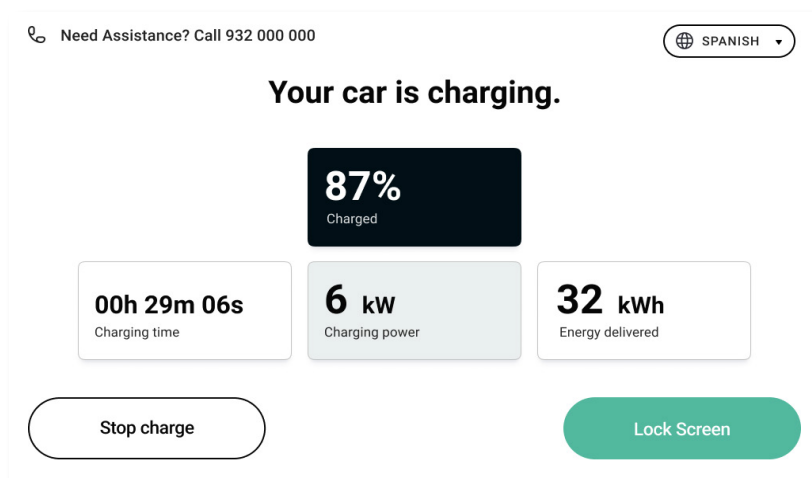
- A.** * **Lock screen button:** press this button to lock the charger screen. User will have to re-authenticate (via the app or RFID card) to check charging info again, or stop charging.

Detail of the information given in real time on the charging screen:

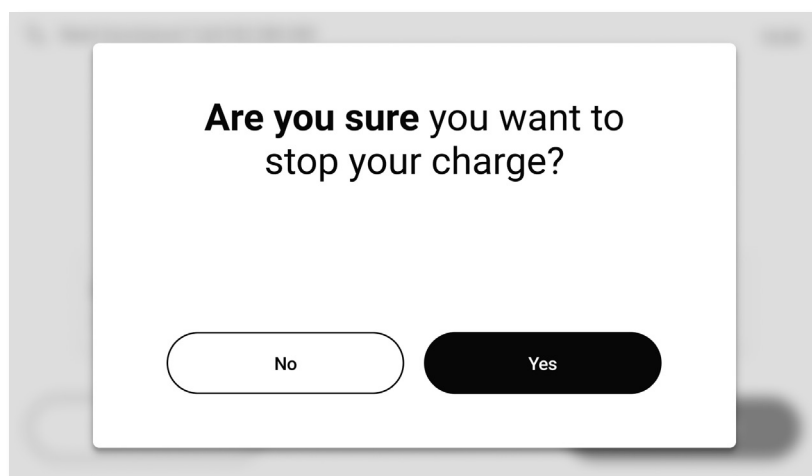
- **“Charged”:** the actual battery charge level of the vehicle.
- **“Charging time”:** the amount of time the charge session has been running for.
- **“Charging power”:** the current power the charging session is using.
- **“Energy delivered”:** the amount of energy that has been delivered to the charging session until now.

Finalising a charge

- 1.** Unlock the Supernova screen by touching its display, tapping your RFID card on the card reader or via the app if you used one.
- 2.** Resume the charge by pressing the “Stop charge” button.



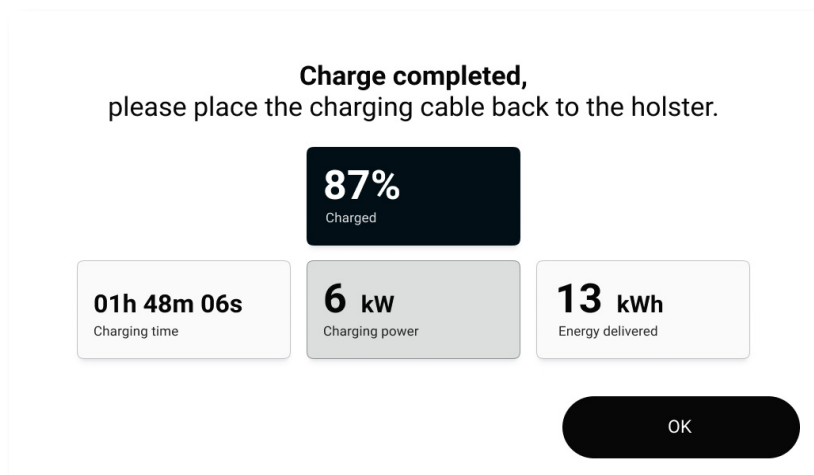
- 3.** Press “Yes” to resume the charge.



Finalising a charge

4. The payment is processed through your RFID card or the app if you used one.

5. The charge is complete and the charging summary is displayed.
You can unplug the EV gun and place it back in its holster.



Payment and Fees

How does payment work?

The payment is automatically processed from the payment method in the App Account, or through the RFID card subscription.

What payment methods are currently available?

Supernova accepts the following payment methods:

- RFID card.

TROUBLESHOOTING

Most common issues

EV gun is stuck in the vehicle

If the EV gun is stuck and you cannot disconnect it from the vehicle, try these troubleshooting steps:

- 1.** Unlock the Supernova by tapping your RFID card on the reader, or touching the screen.
- 2.** Stop the charging session using the screen by pressing “Stop charge”.
- 3.** If you used an app, stop the charging session through it. If the app is buggy, try to stop/relaunche the app. If this does not solve the issue, install/uninstall the app, restart your phone and try again.
- 4.** Try to pull out the EV gun again.

If this solution did not work out please check the following points:

- 5.** Some vehicles allow you to unlock the EV gun, check your car manual.
- 6.** Contact the Wallbox Service Engineering team.

Process for any other issue with Supernova

If you encounter an issue during your charging session with a Supernova, please contact the Wallbox Service Engineering team.



support.wallbox.com